

Virtual reference feedback tuning for two degree of freedom controllers

A. LECCHINI^{1,†}, M.C. CAMPI^{2,*} and S.M. SAVARESI^{3,§}

¹*CESAME — Université Catholique de Louvain, Avenue Georges Lemaitre 4, B-1348 Louvain-la-Neuve, Belgium*

²*Dip. di Elettronica per l'Automazione — Università di Brescia, Via Branze 38, 25123 Brescia, Italy*

³*Dip. di Elettronica ed Informazione — Politecnico di Milano, Piazza Leonardo da Vinci 32, 20133 Milano, Italy*

SUMMARY

The virtual reference feedback tuning (VRFT) is a data-based method for the design of feedback controllers. In the original formulation, the VRFT method gives a solution to the degree of freedom model-reference control problem in which the objective is to shape the input–output transfer function of the control system. In this paper, the extension of the method to the design of 2 d.o.f. controllers is presented and discussed. Copyright © 2002 John Wiley & Sons, Ltd.

1. INTRODUCTION

In this paper we consider the problem of designing a controller for a plant, when no mathematical description of the plant dynamical behaviour is available.

It is common experience in industrial control design that a mathematical description of the plant to be controlled is not available and that undertaking a modelling study is considered too costly and time-consuming. In these cases, one would like to come up with a controller tuned directly from measurements coming from the plant without going through a modelling phase.

One method that has been developed to this purpose is the so-called virtual reference feedback tuning (VRFT) algorithm. Precisely, VRFT permits one to tune a controller within a specified class on the basis of a single set of input/output (I/O) data collected from an experiment on the plant. The idea on which VRFT is based was originally proposed in Reference [1] and subsequently developed in References [2–4] as a complete and ready-to-use method. In References [2–4] the VRFT method has been presented for the selection of 1 degree of freedom (d.o.f.) controllers. In this case, one single controller transfer function fed by an error signal (that is the difference between the reference and the measured plant output) determines the control input value. Such a 1 d.o.f. setting permits one to shape one single closed-loop transfer function, and

*Correspondence to: M.C. Campi, Dip. di Elettronica per l'Automazione — Università di Brescia, Via Branze 38, 25123 Brescia, Italy

†E-mail: lecchini@auto.ucl.ac.be

‡E-mail: campi@ing.unibs.it

§E-mail: savaresi@elet.polimi.it

in fact in Reference [2] only the reference to output transfer function was considered. The aim of this paper is to present and discuss the extension of the method to a 2 d.o.f. setting, where both the reference to output and the disturbance to output transfer functions are taken care of.

First, the control problem setting is precisely described. Later on in this section, we discuss the different approaches that have been introduced in the literature in order to address this control problem and put VRFT into perspective with other methods.

1.1. Problem statement

Given a discrete-time SISO (single input–single output) plant $P(z)$ with input $u(t)$ and output $y(t)$ affected by an additive disturbance signal $d(t)$:

$$y(t) = P(z)u(t) + d(t) \quad (1)$$

consider the 2 d.o.f. control system having the following structure (see Figure 1):

$$\begin{cases} y(t) = P(z)u(t) + d(t) \\ u(t) = C_r(z; \theta_r)r(t) - C_y(z; \theta_y)y(t) \end{cases} \quad (2)$$

where $r(t)$ is the *reference signal*, and $(C_r(z; \theta_r), C_y(z; \theta_y))$ is a 2 d.o.f. controller belonging to a given family of parameterized controllers. If $C_r(z; \theta_r) = C_y(z; \theta_y)$, the 1 d.o.f. controller studied in Reference [2] is recovered (in this case, the controller transfer functions $C_r(z; \theta_r)$ and $C_y(z; \theta_y)$ are usually implemented through a single block placed in the loop). The attention is restricted to linearly parameterized controllers, that is transfer function $C_r(z; \theta_r)$ takes the form $C_r(z; \theta_r) = \beta_r(z)^T \theta_r$ and, similarly, $C_y(z; \theta_y) = \beta_y(z)^T \theta_y$, where $\beta_r(z)$ and $\beta_y(z)$ are vectors of discrete-time transfer functions (with dimension nr and ny , respectively) and θ_r and θ_y are the parameter vectors.

In the sequel, the transfer function between $r(t)$ and $y(t)$ of the control system (2) will be referred to as *closed-loop function*, and the transfer function between $d(t)$ and $y(t)$ will be named *sensitivity function*.

Given a reference model $M(z)$ for the closed-loop function, a reference model $S(z)$ for the sensitivity function, and a family of parameterized controllers $\{(C_r(z; \theta_r), C_y(z; \theta_y))\}$, the control problem consists in selecting the controller parameter vectors (θ_r, θ_y) which minimizes the

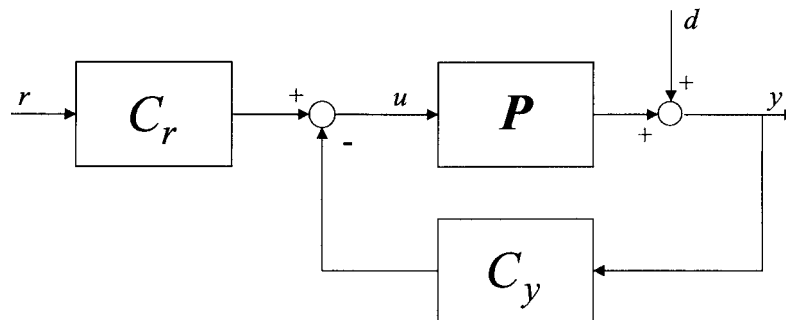


Figure 1. The two degree of freedom control system.

following model reference criterion:

$$J_{\text{MR}}(\theta_r, \theta_y) = \left\| \left(\frac{P(z)C_r(z; \theta_r)}{1 + P(z)C_y(z; \theta_y)} - M(z) \right) W_M(z) \right\|_2^2 + \left\| \left(\frac{1}{1 + P(z)C_y(z; \theta_y)} - S(z) \right) W_S(z) \right\|_2^2 \quad (3)$$

where $W_M(z)$ and $W_S(z)$ are user-chosen weighting functions.

A point which need to be made clear is that minimizing (3) is not a standard optimal control problem, since we assume that the plant transfer function $P(z)$ is not known. In order to compensate for such a lack of knowledge, in the VRFT approach it is assumed that the designer is given a set of I/O measurements collected from the plant $P(z)$ (either in open-loop or in closed-loop). Such a set of data has to be used to come up with a sensible solution to the control problem design without having further access to the plant for experiment.

1.2. Discussion on the control setting

The problem of designing feedback controllers (usually industrial PID controllers) on the basis of a set of I/O measurements has attracted the attention of control engineers since the 1940s with the pioneering work by Ziegler and Nichols, Reference [5]. After the original work by Ziegler and Nichols, many more techniques have been proposed, exploring different directions (see e.g. References [6–8]). The reader is referred to References [9, 10] for book-length presentations of these methods.

By comparing VRFT with the commonly used tuning rules for PID controllers presented in References [5–10], some main differences are worth noticing:

- VRFT aims at finding a solution to a model-reference control problem (3), while other methods usually try to find a generically ‘well-working’ solution according to some criterion ‘built-in’ in the method. While this introduces an extra difficulty for the designer (since he/she has to select suitable reference models), it also adds an important degree of freedom in the definition of the control specifications. It should also be noted that $M(z)$ and $S(z)$ can as well be chosen to be very simple transfer functions (of degree 1 or 2) in standard applications.
- VRFT is not restricted to PID controllers. In this paper, we consider the wide class of linearly parameterized controllers, that includes PID controllers as a special case. On the other hand, VRFT also applies to non-linearly parameterized controllers, at the price of extra algorithmic complications. Moreover, the idea underlying VRFT can be extended so as to cover non-linear controllers as well (see e.g. References [11–13] for a discussion on this).
- The computational effort required in the implementation of VRFT is higher than for standard tuning rules. However, in view of the computational power of modern digital circuits and computers, this does not appear to be a substantial limitation.

The real bottleneck in the design of a data-based controller lies in the number of experiments to perform on the real plant, since these experiments are time consuming and often require to halt the normal operation of the system. In this respect, VRFT is comparable to standard tuning rules as it requires a single data set collected from one single experiment on the plant.

It is also important to mention that, in the field of data-based control system design, many advances have been made in recent years. Almost all these methods, however, share the feature of being *iterative*, that is they require to perform many experiments on the plant. They can be

grouped in *indirect* (i.e. model-based) methods, References [14–24], and *direct* methods, References [25–28].

- The *indirect* iterative methods iteratively perform plant model identification and model-based controller design. The successively selected controllers are applied to the plant and new data are generated for the next selection. The idea is that the controller should progressively become better tuned to the actual plant, so attaining increasingly higher performance.
- The *direct* methods aim at directly finding the controller, without an intermediate identification step.

Among these methods, a very interesting scheme called iterative feedback tuning (IFT) has been recently proposed by Hjalmarsson and coauthors, References [25,26,28]. IFT is based on a *gradient-descent approach* and calls for a sequence of experiments on the true plant with specific inputs. As a matter of fact, the brightness of the method relies on a very smart selection of such inputs, in such a way that the gradient can be estimated from the corresponding measured output. IFT returns the (local) *optimal* controller parameter.

Even if IFT and VRFT belong to the same class of design methods (direct-methods), their peculiar features are quite different. VRFT is a ‘*one-shot*’ method which searches for the *global minimum* of the control performance index, with *no* need for iterations or an initialization. In fact, it uses only one set of input–output data. However, as we shall see, the VRFT technique is only *nearly-optimal*, in the sense that, in general, it provides a controller which is close, but not equal, to the one minimizing (3). On the contrary, IFT provides a fine tuning of the controller towards the optimal solution.

In short, we could say that VRFT provides a good solution with little effort, while IFT points to the optimal solution, but is more time-demanding. Thus, we see that the realm of applicability of VRFT is more similar to that of standard tuning methods as described above than the one of IFT. As an additional remark, we also note that VRFT can also be used as a powerful initialization method for iterative techniques.

1.3. Closed-loop stability

It is well known that a model reference problem may lead to an unstable closed-loop system, see e.g. Reference [10] for a study of the conditions under which this happens. In the context of the present contribution, however, the plant is supposed to be unknown, and therefore assessing the validity of these conditions is normally not feasible. Rather, in line with the adopted framework that only a set of measurements is available, one should conceive to use data-based validation tests for stability.

This important aspect is not treated in the present contribution. Yet, we note that data-based stability validation tests have started to appear in the literature, and the reader is referred to References [3, 30–34] for contributions in this direction.

The outline of this paper is as follows. In Section 2 the ‘virtual reference’ idea for the 2 d.o.f. setting is introduced, the design algorithm is described, and an analysis of the achievable performance is given. For the sake of clarity, in Section 2 it is assumed that the data are not corrupted by noise (i.e. $d(t) = 0$). The use of noisy data is discussed in Section 3. A simulation example, in Section 4, ends the paper.

2. THE VIRTUAL REFERENCE ALGORITHM FOR THE DESIGN OF 2 D.O.F. CONTROLLERS

We commence by introducing the basic idea underlying the VRFT approach for 2 d.o.f. controllers. It extends in a natural way that for the 1 d.o.f. case.

2.1. The virtual reference idea

Suppose that, for a certain given controller, the control system (2) happens to have the closed-loop transfer function $M(z)$ from $r(t)$ to $y(t)$. Then, if the closed-loop system is fed by *any* reference signal $r(t)$, and $d(t) = 0$, its output equals $y(t) = M(z)r(t)$. Thus, by concentrating on a specific *given* reference $\bar{r}(t)$, we can say that a necessary condition for the closed-loop system to have the same closed-loop transfer function as the reference model $M(z)$ is that the output of the two systems is the same for that given reference.

In model reference control, the latter condition is typically imposed by first selecting $\bar{r}(t)$ and then by choosing the controller such that this condition is in fact satisfied. However, for a generic selection of $\bar{r}(t)$, the above task may turn out to be difficult to accomplish if a model of the plant is not available.

The basic idea behind the virtual reference approach consists in performing a *wise selection* of $\bar{r}(t)$ so that the determination of the controller becomes easy. Moreover, for 2 d.o.f control schemes, the idea can be extended to the design of the sensitivity function as well.

To be specific, the construction of $\bar{r}(t)$ is now described in detail.

In the beginning, we are given two files of data, the first one containing measurements of the input $u(t)$ and the second one containing measurements of the corresponding output $y(t)$. For the sake of clarity, in the coming discussion we assume that there is no noise, so that $y(t) = P(z)u(t)$. Given the measured $y(t)$, consider a reference $\bar{r}(t)$ such that $M(z)\bar{r}(t) = y(t)$. Such a reference is called ‘virtual’ because it does not exist in reality and it was not used in the actual generation of $y(t)$. On the other hand, it does exist as a file (i.e. it can be generated in our computer based on the equation $M(z)\bar{r}(t) = y(t)$). Notice that $y(t)$ can be interpreted as the desired output of the control system (2) when the reference signal is $\bar{r}(t)$ and $d(t) = 0$.

Observe now that, even though plant $P(z)$ is not known, we know that when $P(z)$ is fed by $u(t)$ (the measured input signal contained in the first file that has not been used so far), it generates $y(t)$ as an output. Therefore, we can claim that a good controller $(C_r(z; \theta_r), C_y(z; \theta_y))$ (at least in the condition when the reference signal is the virtual reference $\bar{r}(t)$ and $d(t) = 0$) should generate $u(t)$ when fed by $\bar{r}(t)$ and $y(t)$, because this way the desired output $y(t)$ is obtained at the output of the control system.

The construction of the virtual reference $\bar{r}(t)$ is illustrated in Figure 2.

A similar reasoning can be applied to the sensitivity function as well.

Given the measured $y(t)$, consider a signal $\bar{d}(t)$ such that $y(t) + \bar{d}(t)$ is the desired output when the reference signal is zero ($r(t) = 0$) and the disturbance signal is $\bar{d}(t)$. Thus, the signal $\bar{d}(t)$ is such that $y(t) + \bar{d}(t) = S(z)\bar{d}(t)$ and this equation can be used for the computation of $\bar{d}(t)$. We can now claim that a good controller $C_y(z; \theta_y)$ (at least in the case in which the disturbance is $\bar{d}(t)$ and $r(t) = 0$) is one that generates $u(t)$ when fed by $\bar{y}(t) := y(t) + \bar{d}(t)$.

The construction of $\bar{d}(t)$ and $\bar{y}(t)$ is illustrated in Figure 3.

The above idea is implemented in the following algorithm. In the algorithm, we have also included the prefiltering of data through the filters $L_M(z)$ and $L_S(z)$. Later on, we

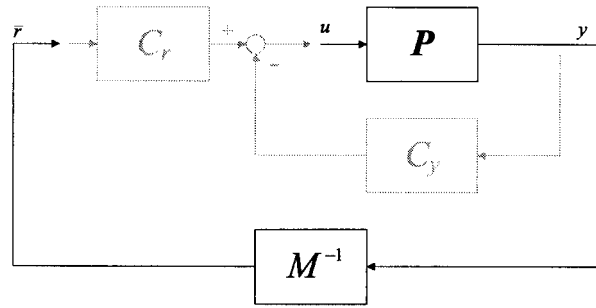


Figure 2. The construction of the virtual reference.

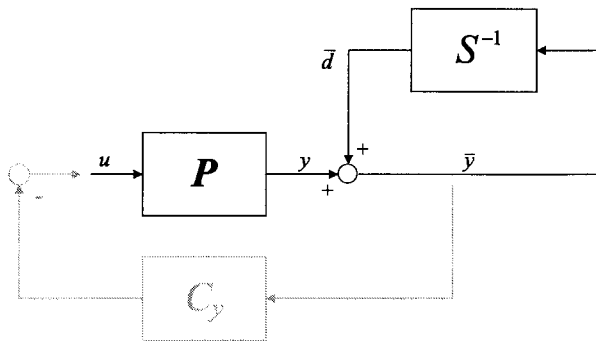


Figure 3. The construction of the virtual disturbance.

shall see that a suitable selection of these filters is important to optimize the algorithm performance.

2.2. The design algorithm

Given the reference models $M(z)$ and $S(z)$, and the set of data $\{u(t), y(t)\}_{t=1, \dots, N}$, do the following:

- (1) Construct:
 - $\bar{r}(t)$ such that $y(t) = M(z)\bar{r}(t)$;
 - $\bar{d}(t)$ such that $y(t) + \bar{d}(t) = S(z)\bar{d}(t)$; and
 - $\bar{y}(t) = y(t) + \bar{d}(t)$.
- (2) Select the controller parameter vectors $(\hat{\theta}_r^N, \hat{\theta}_y^N)$ that minimize the following performance index:

$$\begin{aligned}
 J_{VR}^N(\theta_r, \theta_y) = & \frac{1}{N} \sum_{t=1}^N [L_M(z)(u(t) - C_r(z; \theta_r)\bar{r}(t) + C_y(z; \theta_y)y(t))]^2 \\
 & + \frac{1}{N} \sum_{t=1}^N [L_S(z)(u(t) + C_y(z; \theta_y)\bar{y}(t))]^2
 \end{aligned} \tag{4}$$

in which $L_M(z)$ and $L_S(z)$ are suitable filters (initialization problems are neglected here, that is the filtered signals are assumed to be known from the first instant $t = 1$). \square

Notice that when $C_r(z; \theta_r) = \beta_r(z)^T \theta_r$ and $C_y(z; \theta_y) = \beta_y(z)^T \theta_y$ (i.e. the controller depends linearly on the parameter vectors) the performance index (4) is quadratic and the parameters $(\hat{\theta}_r^N, \hat{\theta}_y^N)$ are easily obtained by solving the normal equations

$$\begin{bmatrix} \hat{\theta}_r^N \\ \hat{\theta}_y^N \end{bmatrix} = A_N^{-1} F_N \tag{5}$$

$$A_N = \frac{1}{N} \sum_{t=1}^N \left(\begin{bmatrix} \varphi_{L_M}^{\bar{r}}(t) \\ -\varphi_{L_M}^y(t) \end{bmatrix} \begin{bmatrix} \varphi_{L_M}^{\bar{r}}(t) \\ -\varphi_{L_M}^y(t) \end{bmatrix}^T + \begin{bmatrix} 0 \\ \varphi_{L_S}^{\bar{y}}(t) \end{bmatrix} \begin{bmatrix} 0 \\ \varphi_{L_S}^{\bar{y}}(t) \end{bmatrix}^T \right)$$

$$F_N = \frac{1}{N} \sum_{t=1}^N \left(\begin{bmatrix} \varphi_{L_M}^{\bar{r}}(t) \\ -\varphi_{L_M}^y(t) \end{bmatrix} u_{L_M}(t) - \begin{bmatrix} 0 \\ \varphi_{L_S}^{\bar{y}}(t) \end{bmatrix} u_{L_S}(t) \right)$$

where

$$\varphi_{L_M}^{\bar{r}}(t) = \beta_r(z) L_M(z) \bar{r}(t), \quad \varphi_{L_M}^y(t) = \beta_y(z) L_M(z) y(t), \quad \varphi_{L_S}^{\bar{y}}(t) = \beta_y(z) L_S(z) \bar{y}(t),$$

$$u_{L_M}(t) = L_M(z) u(t), \quad u_{L_S}(t) = L_S(z) u(t)$$

2.3. Analysis of the design criterion

The analysis of the controller design criterion will be conducted by resorting to the notion of *ideal controller* $(C_r^0(z), C_y^0(z))$. This is the controller that solves the model matching problem exactly, namely $C_r^0(z)$ and $C_y^0(z)$ are given by

$$C_r^0(z) = \frac{1}{P(z)} \frac{M(z)}{S(z)}, \tag{6}$$

$$C_y^0(z) = \frac{1}{P(z)} \frac{1 - S(z)}{S(z)} \tag{7}$$

Notice that $(C_r^0(z), C_y^0(z))$ in general does not belong to the available family of parameterized controllers $\{(C_r(z; \theta_r), C_y(z; \theta_y))\}$. Even more so, $C_r^0(z)$ and $C_y^0(z)$ could as well be improper rational functions, that is, strictly speaking, they are not transfer functions. The notion of ideal controller $(C_r^0(z), C_y^0(z))$ will be used in the following only as an analysis tool.

The analysis of $J_{VR}^N(\theta_r, \theta_y)$ is based on asymptotic results. Under the hypothesis of ergodicity of the involved signals, using the Parseval theorem (see e.g. Reference [35]) and the definition of $C_r^0(z)$ and $C_y^0(z)$, the following asymptotic (as $N \rightarrow \infty$) frequency domain representation of $J_{VR}^N(\theta_r, \theta_y)$ is easily obtained:

$$J_{VR}(\theta_r, \theta_y) = \frac{1}{2\pi} \int_{-\pi}^{\pi} |P|^2 |C_r^0 - C_r(\theta_r) + M(C_y(\theta_y) - C_y^0)|^2 \frac{|L_M|^2}{|M|^2} \Phi_u \, d\omega$$

$$+ \frac{1}{2\pi} \int_{-\pi}^{\pi} |P|^2 |C_y(\theta_y) - C_y^0|^2 \frac{|S|^2 |L_S|^2}{|S - 1|^2} \Phi_u \, d\omega \tag{8}$$

where Φ_u is the power spectral density of $u(t)$ (throughout we drop the argument $e^{j\omega}$ in transfer functions). The criterion $J_{VR}(\theta_r, \theta_y)$ is the asymptotic counterpart of $J_{VR}^N(\theta_r, \theta_y)$, namely the criterion to which $J_{VR}^N(\theta_r, \theta_y)$ tends as the number of available data goes to infinity. Accordingly, as $N \rightarrow \infty$, the minimum $(\hat{\theta}_r^N, \hat{\theta}_y^N)$ of $J_{VR}^N(\theta_r, \theta_y)$ will converge to the minimum of $J_{VR}(\theta_r, \theta_y)$, say $(\bar{\theta}_r, \bar{\theta}_y)$ (in fact, the latter convergence requires additional assumptions. One possibility is to ask that the minimizer is searched in a compact set and that convergence takes place uniformly). In the following, for analysis purposes, $J_{VR}(\theta_r, \theta_y)$ will be extensively used in place of $J_{VR}^N(\theta_r, \theta_y)$.

Consider now the criterion $J_{MR}(\theta_r, \theta_y)$ (which is the original criterion we want to minimize). Using the definition of 2-norm of a discrete-time linear transfer function and the definition of $C_r^0(z)$ and $C_y^0(z)$, $J_{MR}(\theta_r, \theta_y)$ can be given the following form:

$$J_{MR}(\theta_r, \theta_y) = \frac{1}{2\pi} \int_{-\pi}^{\pi} |P|^2 \frac{|C_r^0 - C_r(\theta_r) + M(C_y(\theta_y) - C_y^0)|^2}{|1 + PC_y(\theta_y)|^2} |W_M|^2 d\omega \\ + \frac{1}{2\pi} \int_{-\pi}^{\pi} |P|^2 \frac{|C_y(\theta_y) - C_y^0|^2}{|1 + PC_y(\theta_y)|^2} |S|^2 |W_S|^2 d\omega \quad (9)$$

The minimum point of $J_{MR}(\theta_r, \theta_y)$ is indicated in the following by $(\bar{\theta}_r, \bar{\theta}_y)$.

By comparing (8) and (9), we note that, if $(C_r^0(z), C_y^0(z)) \in \{(C_r(z; \theta_r), C_y(z; \theta_y))\}$, then the minimizer of $J_{VR}(\theta_r, \theta_y)$ corresponds to the ideal controller and coincides with the minimizer of $J_{MR}(\theta_r, \theta_y)$, whatever the plant, the filters and the reference models are. Therefore, in the ideal case in which the ideal controller belongs to the class of available controllers, the controller estimated through the virtual reference approach coincides with the ideal one.

On the other hand, it is apparent that $J_{VR}(\theta_r, \theta_y)$ and $J_{MR}(\theta_r, \theta_y)$ have different minimizers when the class of available controllers has restricted complexity, so that $(C_r^0(z), C_y^0(z)) \notin \{(C_r(z; \theta_r), C_y(z; \theta_y))\}$. It is in this case that the filters $L_M(z)$ and $L_S(z)$ enter into play and prove their usefulness. As a matter of fact, we show below that, by a suitable selection of these filters, it is possible to match a certain extended virtual reference criterion with the second-order expansion of the corresponding extended model reference criterion around its minimizer (see below for details). This way, minimizing the virtual reference criterion leads to a nearly optimal solution for the original model reference problem. Before proceeding, we would also like to mention the main observation that makes such a result possible. The extended model reference criterion and the extended virtual reference criterion exhibit a different dependence on the unknown plant $P(z)$. Yet, their second derivatives around the minimizer of the extended model reference criterion have the same dependence on $P(z)$. This is why suitable $P(z)$ -independent filters $L_M(z)$ and $L_S(z)$ (they must be $P(z)$ -independent since $P(z)$ is not known) can be selected so as to obtain the matching.

2.4. The choice of the filters

Introduce the following choice of the filters: select $L_M(z)$ and $L_S(z)$ in such a way that

$$|L_M|^2 = |M|^2 |S|^2 |W_M|^2 \frac{1}{\Phi_u} \quad (10)$$

$$|L_S|^2 = |S - 1|^2 |S|^2 |W_S|^2 \frac{1}{\Phi_u} \quad (11)$$

Since all the quantities in the right-hand side of Equations (10) and (11) are known, the filters can be actually constructed (in fact, Φ_u may be considered known only when the input signal characteristics are chosen by the designer; otherwise, Φ_u has to be estimated). In Theorem 2.1 below, we show that this choice attains the above described matching result.

Before stating the theorem, some notations are in order. Let

$$\begin{aligned} \Delta C_r(z) &:= C_r^0(z) - \beta_r^T(z)\bar{\theta}_r \\ \Delta C_y(z) &:= C_y^0(z) - \beta_y^T(z)\bar{\theta}_y \end{aligned}$$

where $(\bar{\theta}_r, \bar{\theta}_y)$ is the parameter vector which minimizes $J_{MR}(\theta_r, \theta_y)$. Then, define an extended family of controllers

$$\{(C_r^+(z; \theta_r^+) = \beta_r^+(z)^T \theta_r^+, \quad C_y^+(z; \theta_y^+) = \beta_y^+(z)^T \theta_y^+)\}$$

where

$$\begin{aligned} \beta_r^+(z) &= [\beta_r^+(z)^T \quad \Delta C_r(z)^T]^T, \quad \beta_y^+(z) = [\beta_y^+(z)^T \quad \Delta C_y(z)^T]^T, \\ \theta_r^+ &= [\theta_r^T \quad \mathfrak{g}_r^{n_r+1}]^T, \quad \theta_y^+ = [\theta_y^T \quad \mathfrak{g}_y^{n_y+1}]^T \end{aligned}$$

Consider now the extended performance index

$$J_{MR}^+(\theta_r^+, \theta_y^+) = \left\| \left(\frac{P(z)C_r^+(z; \theta_r^+)}{1 + P(z)C_y^+(z; \theta_y^+)} - M(z) \right) W_M(z) \right\|_2^2 + \left\| \left(\frac{1}{1 + P(z)C_y^+(z; \theta_y^+)} - S(z) \right) W_S(z) \right\|_2^2$$

Clearly, the global minimizer $(\bar{\theta}_r^+, \bar{\theta}_y^+)$ of $J_{MR}^+(\theta_r^+, \theta_y^+)$ is such that $J_{MR}^+(\bar{\theta}_r^+, \bar{\theta}_y^+) = 0$. Moreover, $C_r^+(z; \bar{\theta}_r^+) = C_r^0(z)$, $C_y^+(z; \bar{\theta}_y^+) = C_y^0(z)$. Letting $\bar{J}_{MR}^+(\theta_r^+, \theta_y^+)$ be the second-order Taylor expansion of $J_{MR}^+(\theta_r^+, \theta_y^+)$ around its global minimizer $(\bar{\theta}_r^+, \bar{\theta}_y^+)$, we have now the following theorem.

Theorem 2.1

The minimizer $(\hat{\theta}_r, \hat{\theta}_y)$ of the performance index $J_{VR}(\theta_r, \theta_y)$ where the filters $L_M(z)$ and $L_S(z)$ have been selected according to (10) and (11) is given by

$$(\hat{\theta}_r, \hat{\theta}_y) = \arg \min_{(\theta_r, \theta_y)} \bar{J}_{MR}^+([\theta_r^T \quad 0]^T, [\theta_y^T \quad 0]^T) \quad \square \tag{12}$$

Before proving the theorem, some remarks about its interpretation are in order.

The theorem states that $(\hat{\theta}_r, \hat{\theta}_y)$ minimizes the restriction to the admissible controller parameter subspace of the second-order expansion of the extended model reference performance index around its minimizer. On the other hand, the optimal controller parameter $(\bar{\theta}_r, \bar{\theta}_y)$ minimizes the restriction to the admissible controller parameter subspace of the extended model reference performance index. Thus, we see that the difference between $(\hat{\theta}_r, \hat{\theta}_y)$ and $(\bar{\theta}_r, \bar{\theta}_y)$ rests on the fact that the former is obtained from a simplified quadratic version of the performance index that is minimized by the latter.

Note now that a very important step in the solution of the control problem design is a sensible selection of the controller class. On the one hand, the controller class should be as simple as possible. On the other hand, it need be rich enough so that the best controller within the class attains a satisfactory performance. Discussing the way a sensible controller class can be selected goes beyond the scope of the present paper. Here, we want to observe that, if a sensible

selection has been performed, then the role played by $\Delta C_r(z)$ and $\Delta C_y(z)$ in the determination of $(C_r^0(z), C_y^0(z))$ is only marginal. As a consequence, $(\hat{\theta}_r, \hat{\theta}_y)$ is a good approximation to $(\bar{\theta}_r, \bar{\theta}_y)$ since $J_{MR}^+(\theta_r^+, \theta_y^+)$ is well approximated in a neighbourhood of its minimizer by its second-order expansion $\bar{J}_{MR}^+(\theta_r^+, \theta_y^+)$.

Proof of Theorem 2.1

Since $\bar{\theta}^+$ minimizes \bar{J}_{MR}^+ and attains perfect matching, the second-order expansion only consists of the second-order term. Simple, though cumbersome, computations then show that ($\bar{\cdot}$ denotes complex conjugation) $\bar{J}_{MR}^+(\theta_r^+, \theta_y^+)$ has the following expression:

$$\begin{aligned} & \bar{J}_{MR}^+(\theta_r^+, \theta_y^+) \\ &= \begin{bmatrix} \theta_r^+ - \bar{\theta}_r^+ \\ \theta_y^+ - \bar{\theta}_y^+ \end{bmatrix}^T \left(\frac{1}{2\pi} \int_{-\pi}^{\pi} |P|^2 \begin{bmatrix} \bar{\beta}_r^+ \beta_r^{+\text{T}} & -M \bar{\beta}_r^+ \beta_y^{+\text{T}} \\ -M \bar{\beta}_y^+ \beta_r^{+\text{T}} & |M|^2 \bar{\beta}_y^+ \beta_y^{+\text{T}} \end{bmatrix} \frac{|W_M|^2}{|1 + PC_y^0|^2} d\omega \right) \begin{bmatrix} \theta_r^+ - \bar{\theta}_r^+ \\ \theta_y^+ - \bar{\theta}_y^+ \end{bmatrix} \\ &+ (\theta_y^+ - \bar{\theta}_y^+)^T \left(\frac{1}{2\pi} \int_{-\pi}^{\pi} \frac{|P|^2 |S|^2 |W_S|^2}{|1 + PC_y^0|^2} \bar{\beta}_y^+ \beta_y^{+\text{T}} d\omega \right) (\theta_y^+ - \bar{\theta}_y^+) \\ &= \frac{1}{2\pi} \int_{-\pi}^{\pi} |P|^2 \left| C_r^0 - C_r^+(\theta_r^+) + M(C_y^+(\theta_y^+) - C_y^0) \right|^2 \frac{|W_M|^2}{|1 + PC_y^0|^2} d\omega \\ &+ \frac{1}{2\pi} \int_{-\pi}^{\pi} |P|^2 \left| C_y^+(\theta_y^+) - C_y^0 \right|^2 \frac{|S|^2 |W_S|^2}{|1 + PC_y^0|^2} d\omega \end{aligned} \tag{13}$$

Consider now the cost function $J_{VR}(\theta_r, \theta_y)$. If the filters $L_M(z)$, $L_S(z)$ are selected as in (10) and (11), then $J_{VR}(\theta_r, \theta_y)$ is given by

$$\begin{aligned} J_{VR}(\theta_r, \theta_y) &= \frac{1}{2\pi} \int_{-\pi}^{\pi} |P|^2 \left| C_r^0 - C_r(\theta_r) + M(C_y(\theta_y) - C_y^0) \right|^2 \frac{|W_M|^2}{|1 + PC_y^0|^2} \Phi_u d\omega \\ &+ \frac{1}{2\pi} \int_{-\pi}^{\pi} |P|^2 \left| C_y(\theta_y) - C_y^0 \right|^2 \frac{|S|^2 |W_S|^2}{|1 + PC_y^0|^2} \Phi_u d\omega \end{aligned} \tag{14}$$

By comparing (13) and (14), we note that $J_{VR}(\theta_r, \theta_y) = \bar{J}_{MR}^+([\theta_r^T \ 0]^T, [\theta_y^T \ 0]^T)$, from which (12) follows. \square

2.5. Inclusion of a fixed integral action

It is a standard requirement that the control system guarantees, in steady state, null tracking error for constant references and perfect rejection of constant disturbances. This is expressed through the static gains of the reference models as: $M(1) = 1$ (for tracking) and $S(1) = 0$ (for disturbance rejection).

The correct static gains can be rigorously imposed by introducing an integral action in the controllers, that is by taking

$$C_r(z; \theta_r) = \frac{1}{1 - z^{-1}} C_r'(z; \theta_r), \quad C_y(z; \theta_y) = \frac{1}{1 - z^{-1}} C_y'(z; \theta_y)$$

(in the implementation of the controller, $1/(1 - z^{-1})$ will be placed in the loop), and by further imposing that $C'_r(z; \theta_r)$ and $C'_y(z; \theta_y)$ have the same static gain, i.e. $C'_r(1; \theta_r) = C'_y(1; \theta_y)$.

If the controller is linearly parameterized as follows:

$$C'_r(z; \theta_r) = \beta'_r(z)^T \theta_r, \quad C'_y(z; \theta_y) = \beta'_y(z)^T \theta_y$$

the condition $C'_r(1; \theta_r) = C'_y(1; \theta_y)$ is expressed as

$$v^T [\theta_r^T \quad \theta_y^T]^T = 0, \quad v = [\beta'_r(1)^T - \beta'_y(1)^T]^T \tag{15}$$

Since (15) is a linear constraint, the constrained minimum of $J_{VR}^N(\theta_r, \theta_y)$ is easily achieved by imposing orthogonality between the gradient of $J_{VR}^N(\theta_r, \theta_y)$ and the subspace of the feasible parameter vectors. This is obtained by solving the following set of equations with respect to (θ_r, θ_y) and λ :

$$\begin{cases} \left[\begin{array}{c} \frac{d}{d\theta_r} J_{VR}^N(\theta_r, \theta_y) \\ \frac{d}{d\theta_y} J_{VR}^N(\theta_r, \theta_y) \end{array} \right] = \lambda v \\ v^T [\theta_r^T \quad \theta_y^T] = 0 \end{cases}$$

With the usual meaning of all symbols, the solution is easily seen to be given by

$$\begin{bmatrix} \hat{\theta}_r^N \\ \hat{\theta}_y^N \end{bmatrix} = A_N^{-1} [F_N - \hat{\lambda} v], \quad \hat{\lambda} = \frac{v^T A_N^{-1} F_N}{v^T A_N^{-1} v} \tag{16}$$

We also note that the result given in Theorem 2.1 holds with minor modifications in the present context: in this case, $(\hat{\theta}_r, \hat{\theta}_y)$ is the minimizer of $\tilde{J}_{MR}^+([\theta_r^T \ 0]^T, [\theta_y^T \ 0]^T)$ subject to the constraint that the gains of the two controller transfer functions are equal.

3. THE USE OF NOISY DATA

The analysis of the previous section has been conducted under the assumption that the system is noise-free. In this section, we turn to consider a more realistic noisy setting.

Let us assume that a set of data $\{u(t), y(t)\}_{t=1, \dots, N}$ has been collected from a noisy experiment, that is the system (1) incorporates a non-zero noise term $d(t)$. If the design algorithm of Section 2 is applied, the resulting estimate $(\hat{\theta}_r^N, \hat{\theta}_y^N)$ will be different from what we have seen in the previous section due to the presence of noise and, therefore, the analysis there developed no longer applies. It is perhaps interesting to note that this is true even in the case when the plant operates in open-loop. The reason is that in the identification equations (5) the regression vector is constructed from the plant output, so that it is affected by noise.

In References [2–4], under the hypothesis that $d(t)$ is a stationary stochastic process, an instrumental variable procedure has been proposed in order to counteract the effect of noise in the design of 1 d.o.f. controllers through the virtual reference approach. The extension to 2 d.o.f. design is now sketched.

Consider an additional set of data $\{u(t), y(t)\}_{t=1, \dots, N}$ collected from a *second* experiment performed on the plant with the same input signal $\{u(t)\}_{t=1, \dots, N}$. Then, estimate the parameter vectors by means of the instrumental variable equations

$$\begin{bmatrix} \hat{\theta}_r^N \\ \hat{\theta}_y^N \end{bmatrix} = A_N^{-1} F_N \quad (17)$$

$$A_N = \frac{1}{N} \sum_{t=1}^N \left(\begin{bmatrix} \zeta_{L_M}^{\bar{r}}(t) \\ -\zeta_{L_M}^y(t) \end{bmatrix} \begin{bmatrix} \varphi_{L_M}^{\bar{r}}(t) \\ -\varphi_{L_M}^y(t) \end{bmatrix}^T + \begin{bmatrix} 0 \\ \zeta_{L_S}^{\bar{y}}(t) \end{bmatrix} \begin{bmatrix} 0 \\ \varphi_{L_S}^{\bar{y}}(t) \end{bmatrix}^T \right)$$

$$F_N = \frac{1}{N} \sum_{t=1}^N \left(\begin{bmatrix} \zeta_{L_M}^{\bar{r}}(t) \\ -\zeta_{L_M}^y(t) \end{bmatrix} u_{L_M}(t) - \begin{bmatrix} 0 \\ \zeta_{L_S}^{\bar{y}}(t) \end{bmatrix} u_{L_S}(t) \right)$$

where $\{\varphi_{L_M}^{\bar{r}}(t), \varphi_{L_M}^y(t), \varphi_{L_S}^{\bar{y}}(t)\}_{t=1, \dots, N}$ are constructed as in (5) on the basis of $\{y(t)\}_{t=1, \dots, N}$, while $\{\zeta_{L_M}^{\bar{r}}(t), \zeta_{L_M}^y(t), \zeta_{L_S}^{\bar{y}}(t)\}_{t=1, \dots, N}$ are constructed in the same way as the corresponding $\{\varphi_{L_M}^{\bar{r}}(t), \varphi_{L_M}^y(t), \varphi_{L_S}^{\bar{y}}(t)\}_{t=1, \dots, N}$ but using the output of the second experiment $\{y(t')\}_{t=1, \dots, N}$.

Clearly, $\{y(t')\}_{t=1, \dots, N}$ is different from $\{y(t)\}_{t=1, \dots, N}$ since the two sequences are affected by two different realizations of the noise in the two experiments. If we assume, as it is reasonable, that the noise signals in the two experiments are uncorrelated, then asymptotically (17) returns the same estimate as the one we achieve with the standard normal equations in the noiseless case (in fact, this convergence result requires the standard technical assumptions of instrumental variable methods, as discussed in many textbooks, see e.g. Reference [35]).

An approximate procedure can be formulated even if the second experiment on the plant is not possible. In this case one can use, as instrumental variables, the simulated output of a model of the plant identified from the set of data $\{u(t), y(t)\}_{t=1, \dots, N}$ (synthetic data). If the system operates in open-loop, the identification step amounts to a standard open-loop identification. If the plant is in closed-loop configuration, one can instead conceive to identify the whole closed-loop control system and then directly use the closed-loop identified model to generate the synthetic data.

If this second route is adopted, strictly speaking the virtual reference method is no longer fully direct. It is important to note, however, that the estimated plant is used with the only objective of generating an instrumental variable signal and its actual expression is not directly used to design the controller. This in particular implies that a high order model can be used in the identification of $P(z)$ without affecting the controller complexity.

4. A NUMERICAL EXAMPLE

A simple numerical example illustrates the procedure developed in the previous sections.

Consider the following discrete-time plant:

$$P(z) = \frac{0.1622z^{-1} - 0.01622z^{-2}}{1 - 1.7z^{-1} + 0.8825z^{-2}}$$

whose magnitude Bode plot is shown in Figure 4. Of course, in the controller design such a transfer function is unknown and it is introduced here for completeness.

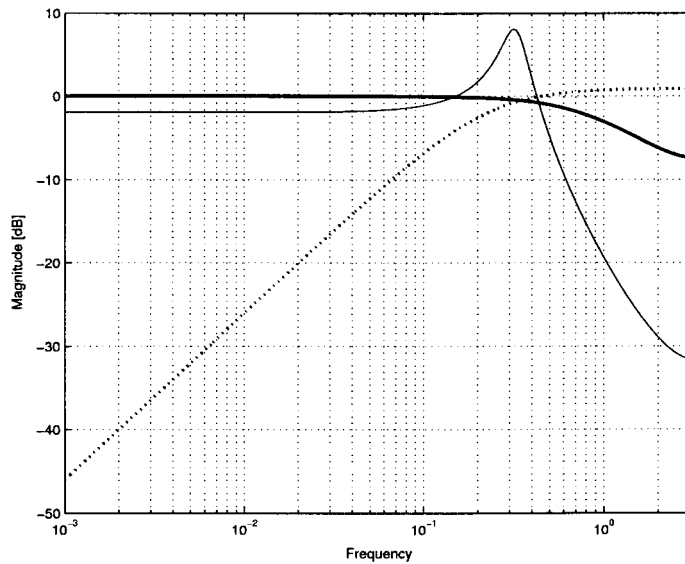


Figure 4. Magnitude Bode plots: The plant (continuous line), the reference-model $M(z)$ (bold line) and the reference sensitivity model $S(z)$ (dotted line).

The output of the plant if affected by an additive stochastic disturbance signal $d(t)$ having the following form:

$$d(t) = \frac{0.3}{1 - 0.7z^{-1}} \zeta(t)$$

where $\zeta(t)$ is white noise with variance $\sigma_{\zeta}^2 = 0.01$.

The objective is to design a 2 d.o.f. controller for the plant $P(z)$. The reference models are

$$M(z) = \frac{(1 - \alpha)z^{-1}}{1 - \alpha z^{-1}}, \quad \alpha = 0.4$$

$$S(z) = 1 - \frac{(1 - \beta)z^{-1}}{1 - \beta z^{-1}}, \quad \beta = 0.8$$

(see Figure 4 for their magnitude Bode plots). The weighting functions have been chosen as: $W_M(z) = W_S(z) = 1/(1 - z^{-1})$ in order to emphasize a good tracking for the step response, and the adopted class of controllers is

$$C_r(z; \theta_r) = \frac{\vartheta_0^r + \vartheta_1^r z^{-1} + \vartheta_2^r z^{-2} + \vartheta_3^r z^{-3} + \vartheta_4^r z^{-4}}{1 - z^{-1}}$$

$$C_y(z; \theta_y) = \frac{\vartheta_0^y + \vartheta_1^y z^{-1} + \vartheta_2^y z^{-2} + \vartheta_3^y z^{-3} + \vartheta_4^y z^{-4}}{1 - z^{-1}}$$

A set of open-loop noisy data $\{u(t), y(t)\}_{t=1, \dots, 512}$ has been collected by feeding the plant with a white noise signal ($\Phi_u = 1$) and the controller parameters have been estimated through the virtual reference method with the optimal filters (10) and (11). A set of data, obtained by repeating the experiment on the plant with the same input, has been used in order to construct

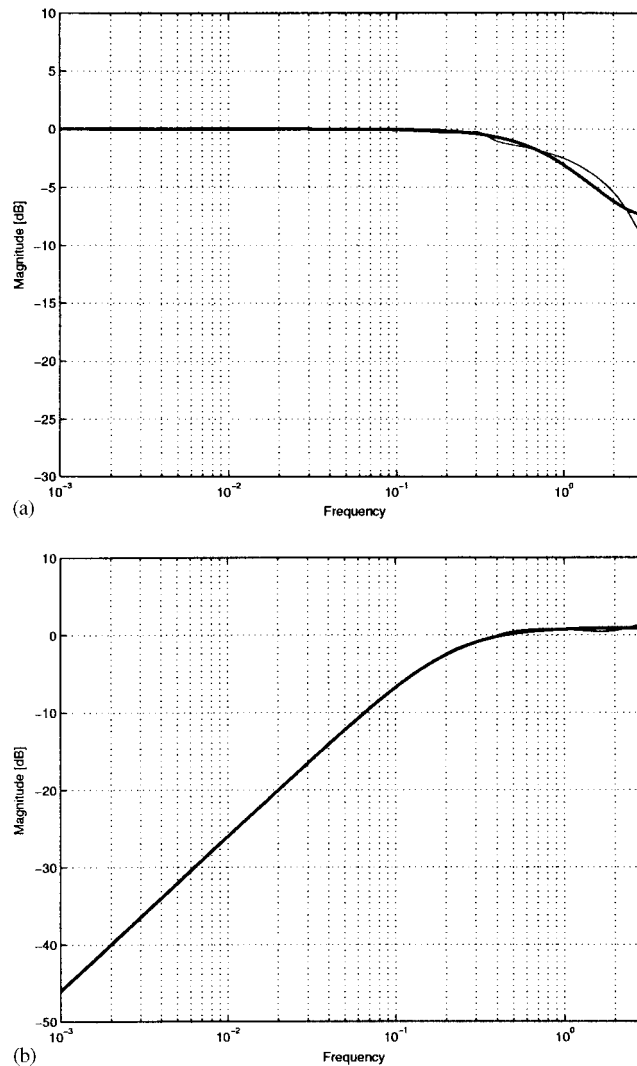


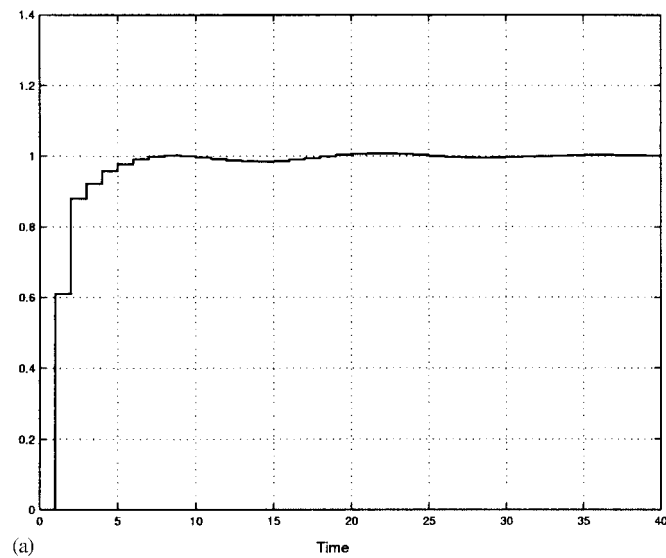
Figure 5. Magnitude Bode plots: (a) The achieved closed-loop transfer function (thin line) and the reference-model $M(z)$ (bold line); (b) the achieved sensitivity transfer function (thin line) and the reference-model $S(z)$ (bold line).

the instrumental variables (see Section 3); moreover, a constrained minimization (16) has been performed to enforce unitary gain of the closed-loop transfer function.

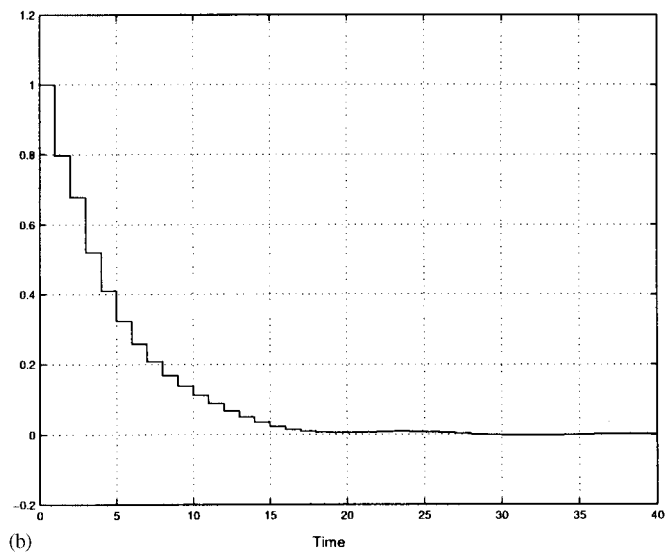
The estimated parameter vectors were:

$$\hat{\theta}_r^{S12} = [3.7615 \quad -7.3513 \quad 3.6172 \quad 1.4273 \quad -1.2026]^T$$

$$\hat{\theta}_y^{S12} = [1.2543 \quad -2.2753 \quad 1.6674 \quad -0.6829 \quad 0.2887]^T$$



(a)



(b)

Figure 6. (a) Step response of the designed closed-loop transfer function; (b) step response of the designed sensitivity transfer function.

The performance achieved by the designed control system is illustrated in Figures 5 and 6. In Figure 5, the magnitude Bode plots of the I/O transfer function and of the sensitivity transfer function of the achieved control system are compared with those of the reference models. Figure 6 displays the step response of the designed closed-loop and sensitivity transfer functions.

5. CONCLUDING REMARKS

In this paper we have presented the extension of the VRFT method to a 2 d.o.f. setting. It has been shown that VRFT is an effective way to directly design from data both the closed-loop transfer function and the sensitivity function. Moreover, VRFT allows for the easy introduction of an integral action in the loop.

Currently, the use of VRFT for non-linear plants is under study. The non-linear setting is very important for applications, since it appears that no easy-to-use one-shot direct methods are available in this context.

Though a discussion of how VRFT extends to non-linear control problems goes beyond the scope of the present paper, it is perhaps worth mentioning that the main idea underlying VRFT can be applied verbatim in a non-linear setting. What is lost, however, is the frequency domain interpretation and, with it, an easy way to design suitable data prefilters.

REFERENCES

1. Guardabassi GO, Savaresi SM. Virtual reference direct design method: an off-line approach to data-based control system design. *IEEE Transactions on Automatic Control* 2000; **45**(5):954–959.
2. Campi MC, Lecchini A, Savaresi SM. Virtual reference feedback tuning: a direct method for the design of feedback controllers. *Automatica* 2002, to appear.
3. Campi MC, Lecchini A, Savaresi SM. Virtual reference feedback tuning (VRFT): a new direct approach to the design of feedback controllers. In *Proceedings of the 39th IEEE Conference on Decision and Control*, Sydney, Australia, December 2000; 623–628.
4. Lecchini A. Virtual reference feedback tuning: a new direct data-based method for the design of feedback controllers. *Ph.D. Thesis* - Università di Brescia, 2001.
5. Ziegler JG, Nichols NB. Optimum settings for automatic controllers. *Transactions of ASME* 1942; **64**:759–768.
6. Chien KL, Hrones JA, Reswick JB. On the automatic control of generalized passive systems. *Transactions of ASME* 1952; **74**:175–185.
7. Haalman A. Adjusting controllers for a dead-time process. *Control Engineering* 1965; 71–73.
8. Dahlin EB. Designing and tuning digital controllers. *Instruments and Control Systems* 1968; **42**:77–83.
9. McMillan GK. *Tuning and Control Loop Performance*. Instruments Society of America: 1983.
10. Åström KJ, Hägglund T. *PID Controllers. Theory, Design and Tuning*. Instruments Society of America: Research Triangle Park, North Carolina, 1995.
11. Savaresi SM, Guardabassi GO. Approximate feedback linearization of discrete time non-linear systems using virtual input direct design. *System & Control Letters* 1997; **32**:63–67.
12. Savaresi SM, Guardabassi GO. Approximate I/O feedback linearization of discrete-time non-linear systems via virtual input direct design. *Automatica* 1998; **34**(6):715–722.
13. Guardabassi GO, Savaresi SM. Approximate linearization via feedback — an overview. *Automatica* 2001; **37**(1): 1–15.
14. Anderson BDO, Kosut RL. Adaptive robust control: on-line learning. In *proceedings of the 30th IEEE Conference on Decision and Control*, 1991; 297–298.
15. Schrama RJ. Accurate models for control design: the necessity of an iterative scheme. *IEEE Transactions on Automatic Control* 1992; **37**(7):991–994.
16. Gevers M. Towards a joint design of identification and control? In *Essays on Control: Perspectives in the Theory and its Applications*, Trentekman HL, Willems C (eds). Birkhauser, 1993; 1735–1740.
17. Lee WS, Anderson BDO, Kosut RL, Mareels IMY. A new approach to adaptive robust control. *International Journal of Adaptive Control and Signal Processing* 1993; **7**:183–211.
18. Lee WS, Anderson BDO, Kosut RL, Mareels IMY. On robust performance improvement through the windsurfer approach to adaptive robust control. In *Proceedings of the 32th IEEE Conference on Decision and Control* 1993; 2821–2827.
19. Bitmead RB. Iterative control design approaches. In *Proceedings of 12th IFAC World Congress*, Vol. 9, Sydney, 1993.
20. Hakvoort RG, Schrama R, Van den Hof PMJ. Approximate identification with closed-loop performance criterion and application to LQG feedback design. *Automatica* 1994; **30**(4):679–690.
21. Gevers M. Identification for control. In *Proceedings of the 5th IFAC Symposium on Adaptive Control and Signal Processing*, 1995; 1–12.
22. Van den Hof PMJ, Schrama R. Identification and control — closed loop issues. *Automatica* 1995; **31**(12):1751–1770.

23. Zang Z, Bitmead RR, Gevers M. Iterative weighted least-squares identification and weighted LQG control. *Automatica* 1995; **31**(12):1577–1594.
24. De Callafon RA, Van den Hof PMJ. Suboptimal feedback control by a scheme of iterative identification and control design. *Mathematical Modeling of Systems* 1997; **3**(1):77–101.
25. Hjalmarsson H, Gunnarson S, Gevers M. A convergent iterative restricted complexity control design scheme. In *Proceedings of the 33th IEEE Conference on Decision and Control*, Lake Buena Vista, FL, December 1994; 1735–1740.
26. Hjalmarsson H, Gevers M, Gunnarson S, Lequin O. Iterative feedback tuning: theory and applications. *IEEE Control Systems Magazine* 1998; **18**(4):26–41.
27. Spall JC, Criston JA. Model-free control of nonlinear stochastic systems with discrete-time measurements. *IEEE Transactions on Automatic Control* 1998; **43**(9):1198–1210.
28. Hjalmarsson H. Efficient tuning of linear multivariable controllers using iterative feedback tuning. *International Journal of Adaptive Control and Signal Processing* 1999; **13**:553–572.
29. Åström KJ, Wittenmark B. *Computer-Controlled Systems*. Prentice-Hall: Englewood Cliffs, NJ, 1997.
30. Bombois X, Gevers M, Scorletti G. Controller validation based on an identified model. In *Proceedings of the 38th IEEE Conference on Decision and Control*, Phoenix, AR, 1999; 2816–2821.
31. Bombois X, Gevers M, Scorletti G, Anderson BDO. Controller validation for stability and performance based on an uncertainty region designed from an identified model. *CESAME Technical Report*, 1999.
32. Bombois X, Gevers M, Scorletti G. Controller validation for stability and performance based on frequency domain uncertainty region obtained by stochastic embedding. In *Proceedings of the 39th IEEE Conference on Decision and Control*, Sydney, Australia. 2000; 689–694.
33. Bombois X, Gevers M, Scorletti G, Anderson BDO. Robustness analysis tools for an uncertainty set obtained by prediction error identification. *Automatica* 2001; **37**(10):1629–1636.
34. Campi MC, Lecchini A, Savaresi SM. Controller validation: a probabilistic approach based on prediction error identification. *Preprint*, 2002.
35. Ljung L. *System Identification: Theory for the User*. Prentice-Hall: Englewood Cliffs, NJ, 1999.